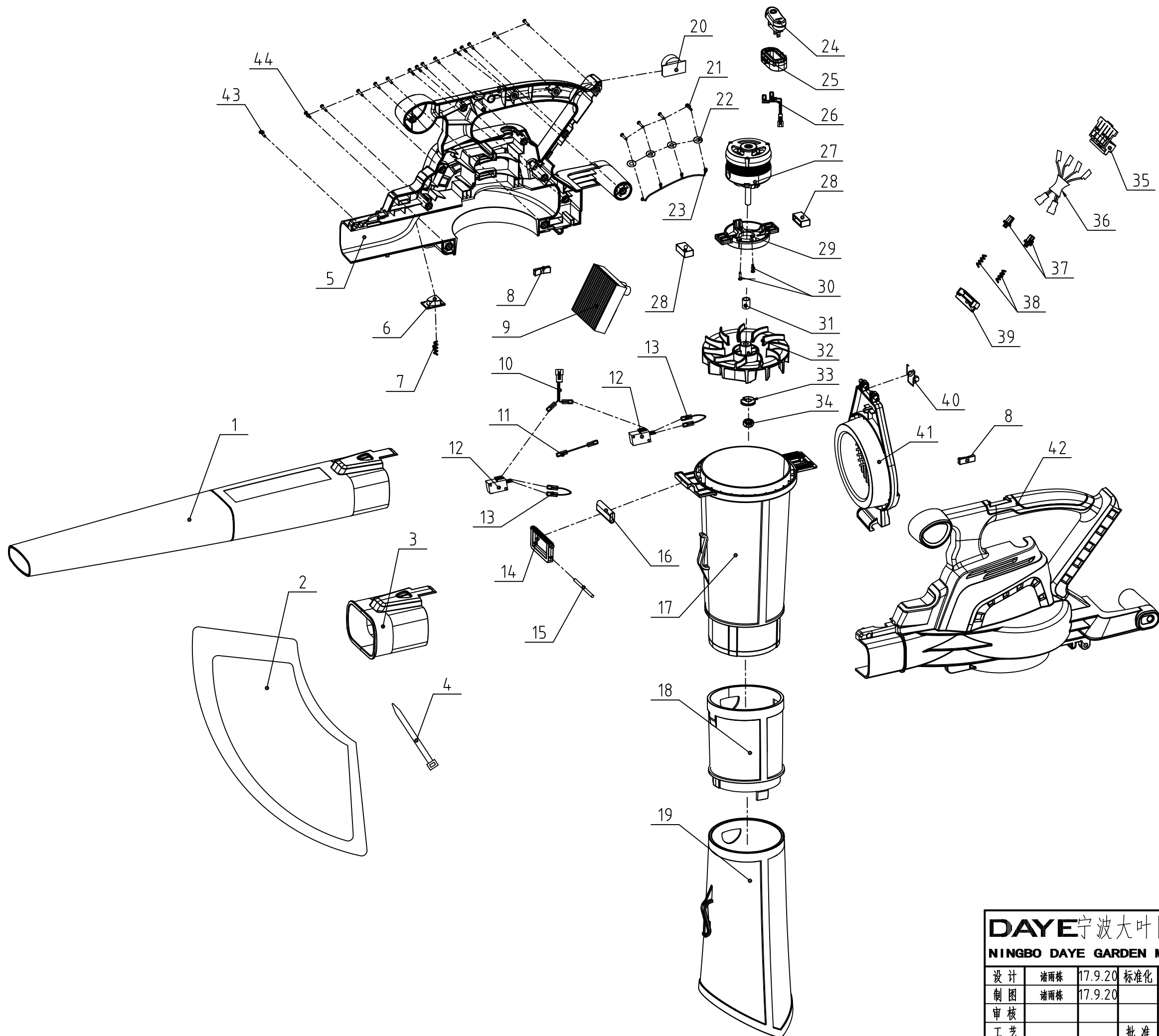


版本	更改描述	工变文件号	标记
A			



DAYE 宁波大叶园林设备有限公司						产品型号	DYM500301
NINGBO DAYE GARDEN MACHINERY CO., LTD.						图样名称	爆炸图
设计	诸雨栋	17.9.20	标准化		阶段标记	SS	材 料
制图	诸雨栋	17.9.20			重量(q)		
审核					比例	1:4	备 注
工艺			批准		图幅	A2	
			共 1 张	第 1 张	版本	A	图 号

parts list for DYM500301

No	P/N	EN(Description)	QTY(PCS)
1	22241001080001A	blower pipe	1
2	22257000012133A	dust bag	1
3	22241001070001A	drivepipe	1
4	2013900161	Nylon cable ties	1
5	22241001260001A	rubber coating	1
6	22241001140001A	button	1
7	2229300006A	button spring	1
8	2224600002A	damping	2
9	2228900054A	blower control	1
10	2228900058A	connecting wiring harness	1
11	2220X00007	inside conductor assy	1
12	2228900015A	microswitch	2
13	2220X00163	inside conductor assy	2
14	22241001170001A	turn buckle	1
15	2226300002A	pin axis	1
16	22241001110001A	back-up block	1
17	22241001050001A	vac tube	1
18	22241001180001A	vac tube	1
19	22241001060001A	vac tube	1
20	22289000550103A	speed-control switch	1
21	A26800103502	screw	4
22	A26800701901	washer	4
23	2228300001A	static iron wire	1
24	22289000510001A	switch	1
25	22241001120001A	switch base	1
26	2228900057A	connecting wire	1
27	2050100214A	brushless motor	1

No	P/N	EN(Description)	QTY(PCS)
28	2224600003A	damping	2
29	22241001160001A	motor bracket	1
30	2285300003A	screw	2
31	2225400005A	bearing sheath	1
32	2225400004A	fan	1
33	A26800800202	spring washer	1
34	A26800504701A	hex nut	1
35	20741000010001A	battery socket	1
36	2108900043A	battery male terminal weld line	1
37	22241001150001A	pop-up button	2
38	2229300004A	pop-up spring	2
39	22241001130001A	stop block	1
40	2229300005A	spring	1
41	22241001040103A	base	1
42	22241001250001A	rubber coating	1
43	A26800102101	screw	1
44	A26800100501	screw	14