



PM

5165
SHW



DG 650

G.W.: 35.7 KG
N.W.: 31.4 KG

MOWOX®

PM 5165 SHW COMFORT SERIES



CAUTION
WILD INSIDE



- ZENTRALE HÖHENVERSTELLUNG
- CENTRAL HEIGHT ADJUSTMEN
- RÉGLAGE CENTRAL DE LA HAUTEUR
- GEWEBESACK MIT FÜLLSTANDSANZEIGE
- GRASS BAG WITH LEVEL INDICATOR
- SAC EN TEXTILE AVEC AFFICHAGE DU NIVEAU DE REMPLISSAGE
- RÄDER MIT KUGELLAGER
- WHEEL WITH BALL BEARINGS
- ROUES AVEC ROULEMENT À BILLES



cutting width



1800 m²



149cc
3,3 PS, 2,4kW
2900 rpm



start



10x, 25-75mm



3in1
collecting
mulching
side discharging



60 l
fill level
indicator



metal chassis



self drive



200/280mm



quick release



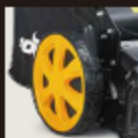
waterclean



edge cutting



314 kg
weight



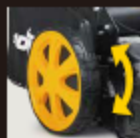
Strong in traction:
XL-wheels for more
traction and comfort



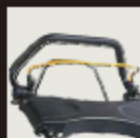
Quickly clean again:
hose connection for
standard garden
hoses



3 in 1 function:
1. mowing / collecting
2. mowing / mulching
3. mowing / side discharge



Comfortable:
central cutting height
adjustment



Lies good in the hand:
handle with soft grip



Traktionsstarke:
XL-Antriebsräder für
mehr Traktion und
Komfort.

Schnell wieder sauber:
Waschanschluss inklusive
für handelsübliche
Gartenschläuche.

3 in 1 Funktion:
1. Mähen / Fangen.
2. Mähen / Mulchen.
3. Mähen / Auswerfen.

Komfortabel:
Zentrale Schnitthöhen-
verstellung.

Gut in der Hand:
Oberholm mit Soft-Grip



Force de traction :
roues motrices XL pour
plus de traction et un
plus grand confort.

Nettoyage rapide :
orifice de lavage, racc-
ord de tuyaux inclus
pour tuyaux d'arrosage
usuels.

Fonction 3 en 1 :
1. Tonte / Ramassage.
2. Tonte / Paillage.
3. Tonte / Ejection.

Confortable :
réglage central
de la hauteur de coupe.

Bien en main :
guidon supérieur avec
poignée souple.



MOWOX®

PM 5165 SHW COMFORT SERIES



English

Mower housing	steel
Engine	Mowox DG650, 149 cc/DHV
Capacity	2,4 kw at 2800 rpm
Self propelled	yes
Cutting width	51 cm
Cutting height adjustment	10-stages, 25-75 mm, central
Grass bag	60 L plastic/textile
For lawn areas up to	1800 m ²
Further features	handle with quick-release function, hose connection



Français

Carter de coupe	Acier
Moteur	Mowox DG650, 149 cc/DHV
Puissance appr. (nominale)	2,4 kw à 2800 u/min
Propulsion	Oui
Largeur de coupe	51 cm
Réglage de la hauteur de coupe	10 niveaux, 25-75 mm, central
Panier collecteur	60 L matière plastique/textile
Pour des pelouses jusqu'à env.	1800 m ²
Autre	Guidon avec fonction de verrouillage rapide Orifice de lavage



Italiano

Telescopio	acciaio
Motore	Mowox DG650, 149 cc/DHV
Potenza	2,4 kw a 2800 g/min.
Semovente	sì
Larghezza di taglio	51 cm
Regolazione dell'altezza di taglio	10 posizioni, 25-75 mm, centralizzata
Capacità sacco	60 L top plastica/tela
Area di taglio fino a	1800 m ²
Ulteriori caratteristiche	impugnatura con sistema quick-release (sgancio rapido), connettore tubo per lavaggio



Nederlands

Maai behuizing	Staal
Motor	Mowox DG650, 149 cc/DHV
Vermogen (ong.) (nominale)	2,4 kW bij 2800 omw./min
Aandrijving	ja
Maai breedte	51 cm
Maaihoogte	10-traps, 25-75 mm, centraal
Opvangbak	60 L kunststof/textiel
Voor gazons tot ong.	1800 m ²
Overige	Handel met snelspanfunctie Wasansluiting



Čeština

krýt řezacího ústrojí	ocel
motor	Mowox DG650, 149 cc/DHV
výkon cca (jmen.)	2,4 kw při 2800 ot./min.
pohon	ano
šířka záběru	51 cm
nastavení výšky sečení	10 stupňová, 25-75 mm, centrálně nastavitelná
sběrný koš	60 l plast/textil
na trávníkové plochy do cca	1800 m ²
ostatní	rukojeť s rychloupaní funkcí připojka na mytí



Magyar

Fűnyelőház	Acél
Motor	Mowox DG650, 149 cc/DHV
Kb. teljesítmény (névleges)	2,4 kw 2800 ford./perc. fordulatszámon
Hajtás	Igen
Vágószélesség	51 cm
Vágómagasság-állítás	10 fokozatú, 25-75 mm, központi
Gyűjtőkosár	60 l műanyag/szövet
Fűterület mérete legfeljebb kb.	1800 m ²
Egyéb	Rúd gyorsrögzítés funkcióval mosás csatlakozás



Deutsch

Mähgehäuse	Stahl
Motor	Mowox DG650, 149 cc/DHV
ca. Leistung (Nenn)	2,4 kw bei 2800 u/min
Antrieb	Ja
Schnittbreite	51 cm
Schnitthöhenverstellung	10 stufen, 25-75 mm, zentral
Fangkorb	60 L Kunststoff/Textil
Für Rasenflächen bis ca.	1800 m ²
Sonstiges	Handl. mit Schnellspanfunktion Waschanschluss



Español

Carcasa de la cortadora	Acero
Motor	Mowox DG650, 149 cc/DHV
Potencia aprox. (nominal)	2,4 kW con 2800 r. p. m.
Accionamiento	Sí
Ancho de corte	51 cm
Ajuste de altura de corte	10 niveles, 25-75 mm, centralizado
Cesta colectora	60 L plástico/tela
Para superficies de césped de aprox.	1800 m ²
Otros	Larguero con función de fijación rápida Conexión de lavado



Português

Alojamento do corte-rivas	Aço
Motor	Mowox DG650, 149 cc/DHV
Potência aprox. (nominal)	2,4 kw a 2800 rpm
Sistema de propulsão	Sim
Langura de corte	51 cm
Ajuste da altura de corte	10 níveis, 25-75 mm, central
Cesto de recolha	60 L plástico/tela
Para superfícies relvadas até aprox.	1800 m ²
Outro	Coluna com função de extensão rápida Ligação para lavagem



Polski

Obudowa kosiarzki	Stal
Silnik	Mowox DG650, 149 cc/DHV
Moc w przybliżeniu (nomin.)	2,4 kW przy 2800 1/min
Napęd	Tak
Szerokość cięcia	51 cm
Regulacja wysokości cięcia	10-stopniowa, 25-75 mm, centralna
Kosz	60 l, tworzywo sztuczne/ tkanina
Do powierzchni trawnych do ok.	1800 m ²
Pozostałe	Uchwyt z funkcją szybkiego zaciśnięcia Przyłącze do mycia



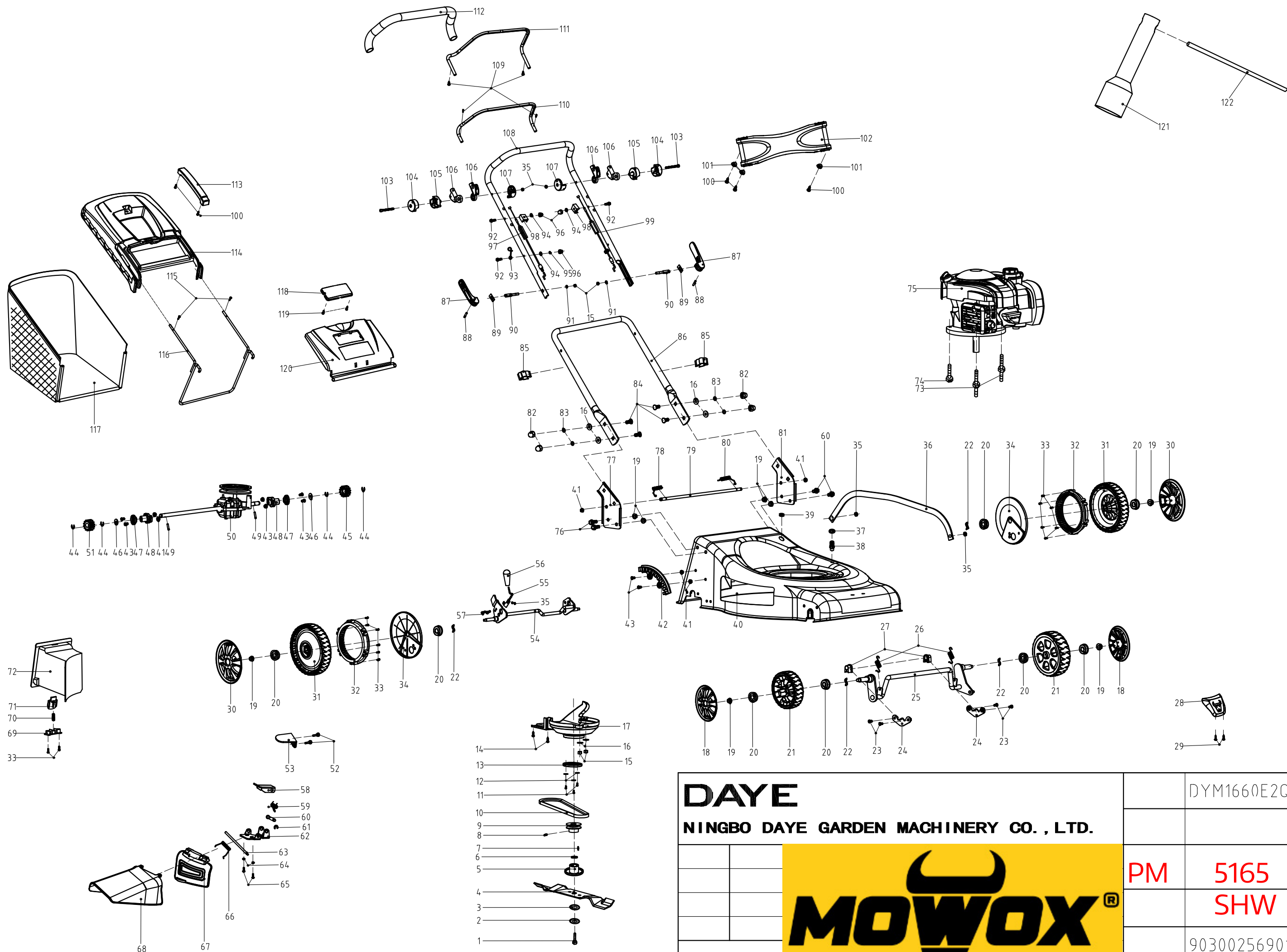
Slovenčina

krýt řezacího ústrojenstva	ocel
motor	Mowox DG650, 149 cc/DHV
výkon cca (men.)	2,4 kW pri 2800 ot./min
pohon	áno
šířka záběru	51 cm
nastavenie výšky kosenia	10-stupňová, 25-75 mm, centrálna nastaviteľná
zberný koš	60 l plast/textil
na trávníkové plochy do cca	1800 m ²
ostatné	rukojeť s rýchlozapaníou funkciou pripojka na umývanie



Română

Carcasă cositoare	Oțel
Motor	Mowox DG650, 149 cc/DHV
Putere aprox. (nom.)	2,4 kw la 2800 rot./min
Motor	Da
Lățime de tăiere	51 cm
Ajustare înălțime de tăiere	cu 10 trepte, 25-75 mm, central
Coș de colectare	60 L din mat. plastic/textil
Pentru suprafețe de câșpit până la aprox.	1800 m ²
Altele	Mână cu blocare rapidă Raccord pentru spălare



DAYE

NINGBO DAYE GARDEN MACHINERY CO., LTD.



DYM1660E2Q

PM

5165

SHW

90300256901

in sketch	part number	other number of same part	part description	Qty
1	2105300159A	26800606201	blade locking bolt	1
2	2105300001C	26300107302	dish washer	1
3	2105200245A	2105200367A	friction blade support pressure plate	1
4	21052002622000A	2105200262A	blade	1
5	2105200251A		- stamping blade holder	1
6	2105400051A		- liner	1
7	2103900034A		- half round key	1
8	3022305001	A26800300502	hexagonal flat set screw	1
9	21031003390082A		- driving pulley	1
10	2102600016A	2102600016N	triangle belt	1
11	3011301018		- self-tapping screw	3
12	3051205001	A26800700502	flat washer	3
13	2104600006A		- dustproof cover	1
14	3011301006		- self-tapping screw	2
15	3031309002		- hexagon flange bolt	4
16	3051303001		- flat washer	6
17	21041002600001N	25288400102	pully protective cover	1
18	21011000560103B	25205001101	8" wheel cover	2
19	30323060035000	26800502801	metal hexagon flange locking nut	8
20	2101300065A	26800401601	augular bearing	8
21	21011002660001A	21011002443208C	wheel assembly	2
22	A26800706202	26800706202	wave washer	4
23	3021302003		- tooth screw	4
24	2101200011B	26300134202	axle fixed ring	2
25	2101500068D		- front axle assembly	1
26	2109800049B	26801110001	spring	2
27	21011000290001A	25202600101	front axle fixed ring	2
28	21031002334079A		- Brand embleme Mowox	1
29	3011301012	26800105402	self-tapping screw	2
30	21011000620103N	21011001750103N	11" wheel cover	2
31	21011002650001A	25400204502	wheel assembly	2
32	2101100081B	25229500101	wheel gear ring	2
33	3011301010		- self-tapping screw	14
34	21011003730001F	25208700105	11" inner wheel cover	2
35	30313090035000	A26800500501	hexagon flange bolt	6
36	2106200047C	23600403202	connection rod	1



in sketch	part number	other number of same part	part description	Qty
37	2109100013N	25100135101	O ring	1
38	21031000230176D	25214300301	cleaning connector	1
39	2106600013A	25100181601	cable protect cover	1
40	21032002480001A		- deck assembly	1
41	30323060015000		- nut	8
42	21061001694017B	23100105302	height adjusting board	1
43	30213020045000	26800202001	tooth screw	6
44	3043301001		- opening washer	4
45	2104400013E	26900300102	left output gear assembly	1
46	A26800705901	26800705901	washer	2
47	21011004410001A		- supporting bracket	2
48	21011004420120B		- rear axle cover	2
49	3082301003		- cylindrical pin	2
50	2102300071C	23050200201	gearbox assembly	1
51	2104400014E	26900300203	right output gear assembly	1
52	30913050015000	A26800611201	hexagon flange bolt	2
53	2102300154A		- locating board	1
54	2101300204A		- rear axle assembly	1
55	2106201208A		- adjusting handle assembly	1
56	21021000010001A	25500103201	adjusting handle cover	1
57	A26800203001A	26800203001	screw	2
58	2103200233A		- lock B	1
59	2103800011A		- spring	1
60	2103300040A		- lock fixed shaft	1
61	2103200228A		- side discharge fixed	1
62	3043301003		- opening washer	1
63	2106200053N	26200101901	side discharge fixed shaft	1
64	3052301004		- spring washer	2
65	3021302002		- tooth screw	2
66	2109800066D	26801113004	spring	1
67	21061000900001N	25231100102	side discharge cover	1
68	21041001110001C		- side discharge protect cover	1
69	21041001160001A	25231700101	Lock button press board	1
70	2109800022C	26801100501	spring	1
71	21041001150001A	25231600401	Plug-in lock button	1
72	21061006910001A	21061003740001N	plugin	1



in sketch	part number	other number of same part	part description	Qty
73	2109900066A		- bolt	1
74	2109900067A		- bolt	2
75	60400117401		- engine 149cc	1
76	30913070165000	26800606401	hexagon flange bolt	4
77	21062004490001B	23600178201	right handle bracket	1
78	2106800006B	26801112701	spring	1
79	2101300006A	26300165601	long rod	1
80	2106800007A	26801112601	spring	1
81	21062004480001B	23600178101	left handle bracket	1
82	3033302001		- cap nut	4
83	3052301002		- spring washer	4
84	30913090015000	A26800601903	semicircular neck bolt	4
85	21061000013201A	25261100102A	cable clamp	2
86	21063001720001A		- lower handle	1
87	21061006503201A		- locking handle bolt	2
88	21093000635007A		- cylindrical pin	2
89	21062000015007A		- compression plate	2
90	21063000085007A		- locking handle bolt	2
91	21092000295007B	2109200058A	washer	2
92	3091307003	26800607701	bolt	3
93	21063000025007A		- cable hook	1
94	3051303003		- flat washer	3
95	3052301003		- spring washer	1
96	A26800501603A	26800501603	cap nut	3
97	2106800595B		- flameout cable assembly	1
98	21061000043201A	25233600102	cable fixed block	2
99	2106800530A		- driving cable assembly	1
100	3011301004		- self-tapping screw	5
101	21061001113201N	25239100202	wave washer	3
102	21061004620001A		- handle panel	1
103	3022301003		- screw	2
104	21061004573201A	21061004573201N	fix	2
105	21061004593201A	21061004593201N	fix	2
106	21061001803201B	25287600102	self-propelled cable hang	4
107	21061001153206A	25239300302	cover	2
108	21063001740001B		- upper handle	1



in sketch	part number	other number of same part	part description	Qty
109	2109300058A		- self-tapping screw	4
110	21062001990104A	23601070401	flameout rod	1
111	21062002080001A	23601018101	driving rod	1
112	2106600017A		- handle sheath	1
113	21071000330001A	25238400101	grass basket handle	1
114	21071000310001A	25238200101	grass basket	1
115	3011301005		- self-tapping screw	2
116	2107200037B	26300165701	grass catcher bracket	1
117	21077000462133A		- grass catcher	1
118	2104100134C	25238500103	Rear cover transparent window	1
119	A26800107101	26800107101	self-tapping screw	2
120	2100X00589	23000427201	rear cover assembly	1
121	2012100004A	26300107901	socket wrench spanner	1
122	2012200002A	26300107801	socket wrench	1