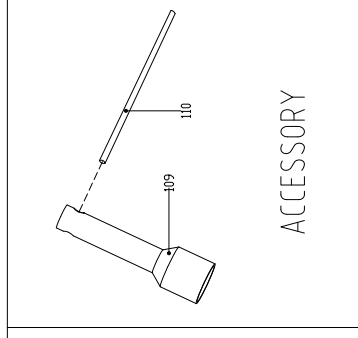


PM 4645 SHW-B-DYM1566HCQN Spare parts list-MOWOX

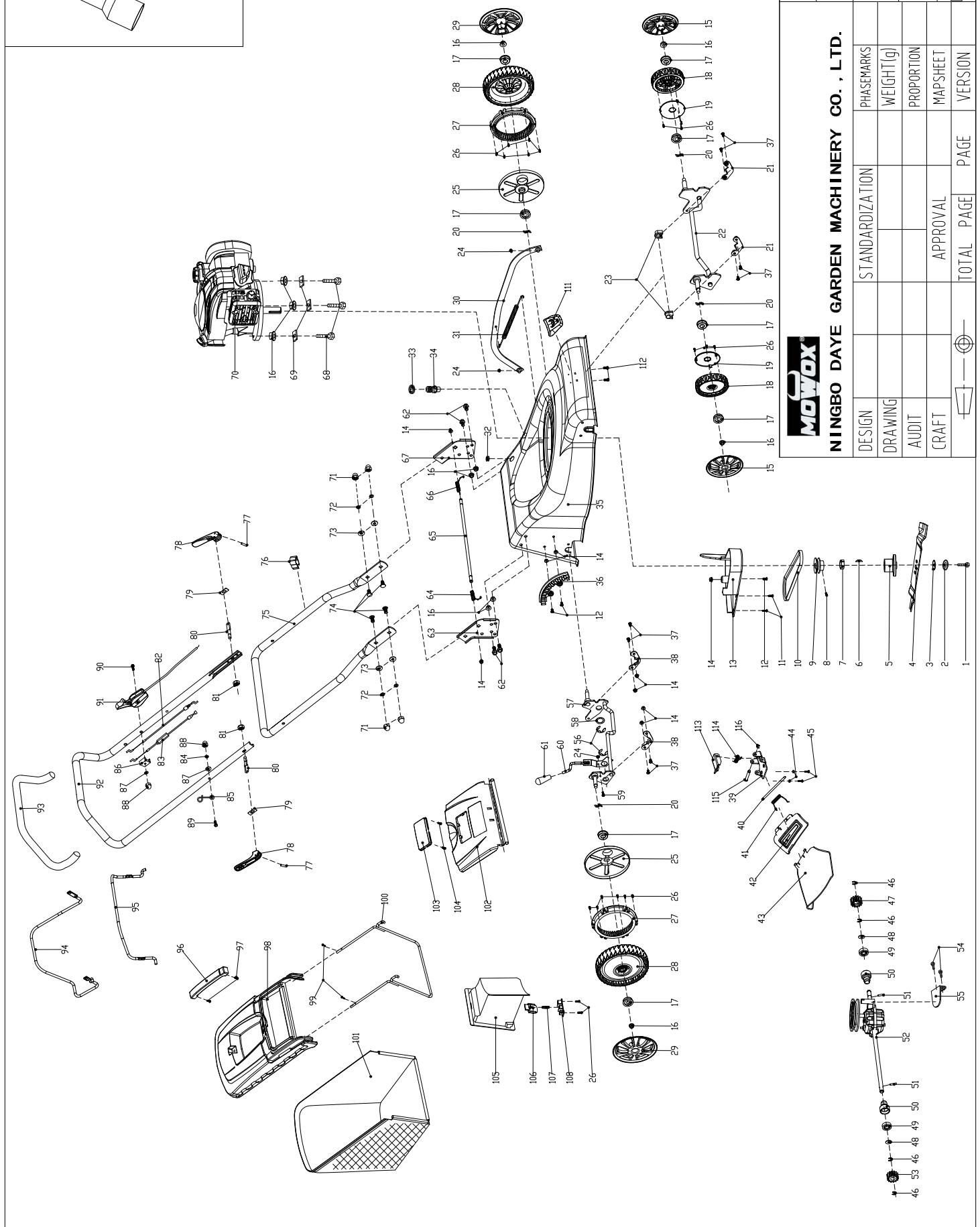
update :			
part	part number	description	qty
1	A26800606201	blade tighten bolt	1
2	2105300001C	dish washer	1
3	2105200245A	pressing plate of blade support	1
4	2105200263A	blade	1
5	2105200251A	blade support	1
6	A26809001201	woodruff key	1
7	21021000020001A	blade support sheath	1
8	A26800300502	locking screw	1
9	2102300109B	driving belt wheel	1
10	2102600036N	triangle belt	1
11	A26800103701	self-driving screw	2
12	A26800202001A	tooth screw	3
13	21021000460001N	belt protecting cover	1
14	A26800502401	hex flange locking nut	9
15	21011001740103N	8"wheel cover	2
16	A26800502801	hex flange locking nut	11
17	2101300065A	bearing	8
18	21011002600001A	wheel assy	2
19	21011001460001A	dust-proof wheel cover	2
20	A26800706202	wavy washer	4
21	2101200011B	wheel axle fixed board	2
22	2101500120A	front wheel axis assy	1
23	21011000290001A	front wheel axle fixed ring	2
24	A26800500501	hex flange locking nut	3
25	21011003730001F	11" dust-proof wheel cover	2
26	A26800100501	self-driving screw	20
27	2101100081B	wheel gear ring	2
28	21011002610001A	wheel assy	2
29	21011001750103N	11"wheel cover	2
30	2106200519B	connecting rod	1
31	2102600063N	tension spring for connecting rod	1
32	2106600013A	cord protecting cover	1
33	2109100013N	o-rings	1
34	21031000230176D	wash port	1
35	21032002470001A	deck	1
36	21061001694017B	height adjustment board	1
37	A26800201901	tooth screw	8
38	2106200128A	wheel axle fixed ring	2
39	2103200228A	side-discharge fixing board	1
40	2106200053N	side-discharge locating shaft	1
41	2109800024A	side cover board spring	1
42	21061000760001A	side-discharge cover board	1
43	21041006160001A	side-discharge protecting cover	1
44	A26800201501	tooth screw	2
45	A26800800402	sping washer	2
46	A26800900201	open block ring	4
47	2104400013E	left output gear assy	1
48	A26800705102	flat washer	2
49	A26800402302	bearing	2
50	2102400152A	bearing sheath	2
51	A26809000102	column pin	2
52	2102300065A	variable gear box assy	1
53	2104400014E	right output gear assy	1
54	A26800611201	bolt	2

part	part number	description	qty
55	2102200040A	position board	1
56	A26800900301	open block ring	2
57	2101500121B	Rear wheel axle assy	1
58	2109200020A	adjusting washer	1
59	A26800203001A	cross pan self-driving screw	1
60	2106300079A	handle assy	1
61	21021000010001A	handle sheath	1
62	A26800606401	hexagon flange bolt	4
63	21062004490001B	right handle bracket	1
64	2106800006B	right knob spring	1
65	2101300006A	long rod	1
66	2106800007A	left knob spring	1
67	21062004480001B	left handle bracket	1
68	A26800602501	hexagonal bolt	3
69	2103300005B	square washer	3
70	H23050100103	engine	1
71	A26800501502	cap nut	4
72	A26800800202	spring washer	4
73	A26800700701	flat washer	4
74	A26800601903	step bolt	4
75	21062000920001A	lower handle pole	1
76	21061000013201A	wire clamp	1
77	2109300063A	column pin	2
78	21061000273201A	locking handle	2
79	2106200001A	press plate	2
80	2106300008A	locking handle bolt	2
81	A26800500801	locking nut	2
82	2106800334A	flameout cord assy	1
83	2106800211B	driving cord assy	1
84	A26800800303	spring washer	1
85	2106300002A	rope guide	1
86	21061000043201A	cord fixing board	1
87	A26800700801	flat washer	2
88	A26800501603A	cap nut	2
89	A26800607701	bolt	1
90	A26800603601	bolt	1
91	2106800335B	throttle handle assy	1
92	21062003640001A	upper handle	1
93	2106600019A	protecting sheath of handle	1
94	21062002750001A	driving pole	1
95	21062003680104A	flameout pole	1
96	21071000330001A	handle of grass catcher	1
97	A26800104601A	self-driving screw	2
98	21071000310001A	grass catcher	1
99	A26800103202	self-driving screw	2
100	2107200037B	grass catcher bracket	1
101	21077000462133A	grass catcher	1
102	2100X00589	rear cover	1
103	2104100134C	rear cover transparent window	1
104	A26800107101	self-driving screw	2
105	21061000930001A	mulching wedge	1
106	21041001150001A	wedge locking button	1
107	2109800022C	spring	1
108	21041001160001A	locking press board	1
109	2012100012A	wrench	1
110	2012100004A	wrench pole	1
111	21031002324079A	head cover	1

part	part number	description	qty
112	A26800105402	self-driving screw	2
113	2103200254A	locking piece D	1
114	2103800011A	torsional spring	1
115	2103300040A	fixed axis	1
116	3043301003	split washer	1



ACCESSORY



NINGBO DAYE GARDEN MACHINERY CO., LTD.

MODEL	PM 4645 SHW-B/ DYM 1566HCQN
PATTERN TITLE	EXPLODED VIEW
MATERIAL	
REMARK	
DRAWING NO	

DESIGN	STANDARDIZATION	PHASEMARKS
DRAWING		WEIGHT(g)
AUDIT		PROPORTION
CRAFT	APPROVAL	MAPSHEET
	TOTAL PAGE	VERSION
	PAGE	

